

## GB16 Heavy Duty T-Handle With Weathershield

### Features

- Unique locking handle with sliding 'weathershield' plate which completely protects lock cylinder against entry of water and road debris
- Made with heavy-section castings and large, concealed-fixing escutcheon, this new design provides improved durability for vehicle applications
- Non-locking version also available

### Material

- Exterior grade chromium plating

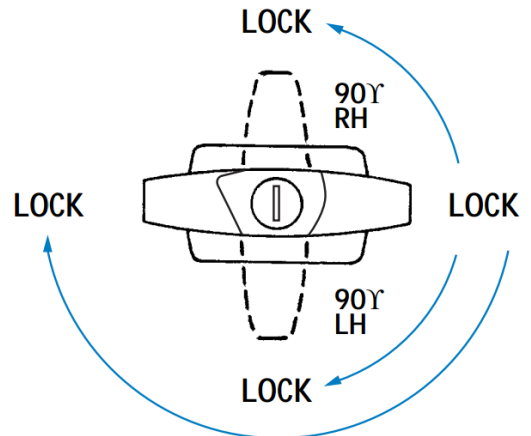
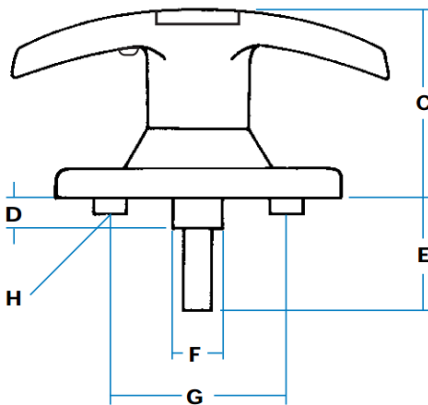
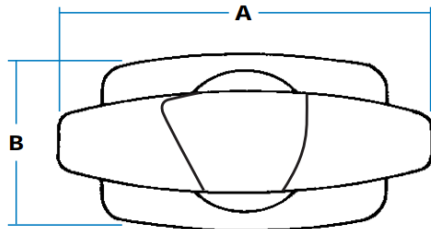
### Notes

- Lift 'weathershield' to insert key. Movement is 180° as standard, rotation can be limited to 90° RH/LH when required
- Concealed-fixing into two tapped bosses, using M6 bolts and neoprene gasket provided. Handle must be fitted with weathershield sliding upwards to reveal keyway.
- 'FT' double-sided keys as standard with 'shuttered' keyway. Optionally 'FS', or 'DLP' key types also available
- **Contact Gripwell sales for cam pawl and centre-case options**



**GB16-G01903**  
(Non-locking handle)

**GB16-G01902**  
(Locking handle with weathershield)



Handles operate through 180° as standard (non-handed). To special order, rotation can be limited to 90° LH (clockwise) or 90° RH (anticlockwise). Handles will lock at each 90° position.

Part No.	Key	A	B	C	D	E	F	G	H
GB16-G1902	Standard	110	51	53	10	63	25	51	Bosses 3 mm high, tapped M6 x 7 mm
GB16-G1902-01	FT111								
GB16-G1903	Non-Locking								

## Die Cast Cams & Heavy Duty Cam Pawls

### Features

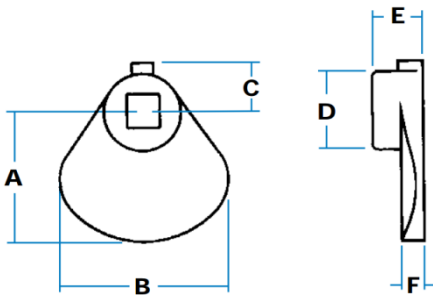
- Our die cast cams provide the simplest way of securing an enclosure door. They fit onto a plain, 8 mm-square shaft, and are clamped into position with the integral socket screw. A version is available with hole threaded M8, to suit corresponding round shaft.
- The range of heavy steel cams (below) is normally fitted to our 'drop-T' series, but they can be used with any 8 mm square shaft, normally threaded M10 with securing nuts to allow for adjustment and retention. Finish is bright zinc-plated.
- All cams are fitted with hexagon-head grub screw, adjusted by 3/32" Allen key (threaded 10/32 UNF x 3/8")



**G27296**  
(Small cam)



**G00837**  
(Large cam)



Part No.	Description	A	A1	B	C	D	E	F
<b>G27296</b>	Small cam, 8 mm square hole							
<b>G27297</b>	Small cam, M8 threaded hole	32	63	40	11	19	13	4
<b>G00837</b>	Large cam, 8 mm square hole							

Heavy-duty cam pawls, made in rolled-edge mild steel, 30 mm width x 5 mm deep, with 3 mm 'V' raise for cam-action



**G02071**  
(‘Cranked up’)



**G02069**  
(‘Straight’)



**G02067**  
(‘Cranked down’)



**G02059**  
(‘Hooked’)

